

Designed and manufactured with 8 exclusive patented technologies, Narada have created an innovative range of high temperature batteries. The 313K series is designed to cope with the most extreme temperatures and environments. The advanced technology and unique manufacturing methods enable 313K batteries to deliver at least twice the cycle life of conventional lead- acid batteries, making them the first choice increasing power demands in remote hybrid telecom sites and other tough off-grid applications.

Standards

Test standards

IEC60896-21/-22, IEC61427, YD/T799 etc.

Safety standard, ventilation

EN 50272-2

Manufactured under system

ISO9001/TL9000& ISO 14001 by Narada

313K Series

High Temperature Batteries

Benefits

- Excellent deep cycling capability
- Suitable for continuous operation at temperatures in excess of 35°C
- Reduced system operating costs
- 25% electricity power saving
- Up to 100% air conditioner maintenance saving
- Up to 100% condensing agent saving
- 30% CO2 gas emission reduce
- Less than 1 year payback period depend on environment



Technical specifications

| Electrical data | |
|--------------------------|---|
| Nominal voltage | 2 V |
| Number of cells | 1 |
| Rated capacity | 500Ah -50A for 10h to 1.80V/cell(25°C) 525Ah - 52.5A for 10h to 1.80V/cell(35°C) |
| Internal resistance | 0.28mΩ(acc.to IEC 60896-21) |
| Short circuit current | 7211 A(acc.to IEC 60896-21) |
| Self disc charge(35°C) | less than 5% per month |
| Design life at 35°C | 15years |
| Mechanical data | |
| Weigh ready for use | 39 kg(88.0 lbs) |
| Length | 231mm(9.09 in) |
| Width | 155mm(6.10 in) |
| Height of monobloc | 395mm(15.55 in) |
| Total height | 407mm(16.02 in) |
| Terminal | M8 female |
| Terminal hardware torque | 1 0 -12Nm |

Constant Current Discharge Date Units:Amperes(35°C,95°F)

| End Voltage | 15 min | 30 min | 60 min | 3 hour | 5 hour | 8 hour | 10 hour | 24 hour | 48 hour | 72 hour | 120 hour | 240 hour |
|-------------|--------|--------|--------|--------|--------|--------|---------|---------|---------|---------|----------|----------|
| 1.75V | 590.2 | 432.6 | 288.4 | 132.5 | 92.1 | 64.5 | 53.8 | 24.0 | 12.3 | 8.47 | 5.38 | 2.76 |
| 1.80V | 556.5 | 404.7 | 270.2 | 128.5 | 90.0 | 63.2 | 52.5 | 23.6 | 12.1 | 8.28 | 5.30 | 2.73 |
| 1.83V | 522.5 | 385.3 | 253.0 | 124.3 | 87.8 | 62.1 | 51.4 | 23.1 | 11.8 | 8.10 | 5.20 | 2.68 |
| 1.85V | 493.5 | 360.9 | 243.9 | 121.9 | 86.9 | 61.4 | 51.1 | 22.7 | 11.7 | 8.06 | 5.11 | 2.63 |
| 1.88V | 450.0 | 339.0 | 233.6 | 119.4 | 86.0 | 60.7 | 50.7 | 22.5 | 11.6 | 7.99 | 5.00 | 2.57 |
| 1.90V | 417.3 | 309.6 | 216.5 | 114.3 | 83.7 | 59.1 | 49.4 | 22.2 | 11.4 | 7.78 | 4.94 | 2.54 |

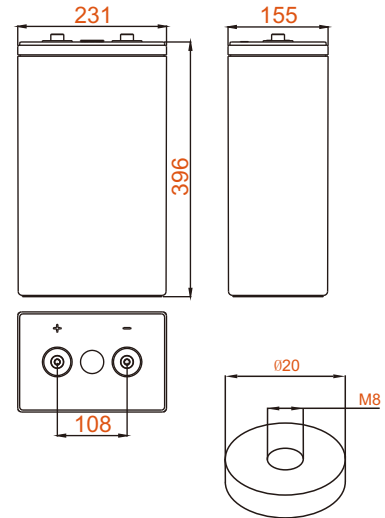
Constant Power Discharge Date Units:Wants per cell(35°C,95°F)

| End Voltage | 5 min | 15 min | 30 min | 60 min | 90 min | 2 hour | 3 hour | 4 hour | 5 hour | 6 hour | 8 hour | 10 hour | 12 hour | 24 hour |
|-------------|--------|--------|--------|--------|--------|--------|--------|--------|--------|--------|--------|---------|---------|---------|
| 1.70V | 1325.1 | 1123.4 | 891.3 | 606.0 | 476.0 | 395.8 | 283.0 | 228.5 | 194.8 | 167.4 | 129.9 | 106.6 | 97.0 | 48.8 |
| 1.75V | 1283.8 | 1081.2 | 860.9 | 582.4 | 461.7 | 381.8 | 272.6 | 223.7 | 190.0 | 163.6 | 125.1 | 105.0 | 95.6 | 48.3 |
| 1.80V | 1248.3 | 1030.6 | 830.5 | 568.9 | 450.7 | 374.7 | 263.0 | 216.5 | 184.7 | 158.8 | 121.9 | 103.4 | 94.1 | 47.6 |
| 1.83V | 1179.9 | 983.3 | 783.3 | 548.6 | 435.5 | 359.6 | 256.6 | 213.3 | 180.9 | 154.0 | 119.5 | 101.4 | 92.3 | 46.9 |
| 1.85V | 1135.2 | 938.6 | 738.5 | 517.4 | 418.3 | 344.4 | 249.0 | 208.2 | 176.1 | 150.3 | 117.9 | 99.4 | 90.5 | 45.7 |
| 1.88V | 1071.9 | 869.3 | 686.7 | 486.2 | 386.6 | 320.1 | 240.5 | 201.0 | 170.3 | 145.0 | 114.7 | 97.0 | 88.3 | 44.5 |
| 1.90V | 1001.9 | 814.5 | 622.9 | 445.6 | 358.5 | 298.8 | 230.9 | 193.8 | 164.5 | 140.5 | 110.3 | 92.2 | 84.0 | 42.8 |
| 1.94V | 905.6 | 729.2 | 558.1 | 395.0 | 321.1 | 276.1 | 214.6 | 181.5 | 155.9 | 134.7 | 105.8 | 88.2 | 80.6 | 42.3 |

Construction

| | |
|-----------------|---|
| Positive plate | Reinforced grids in a corrosion-resistant pure lead, high tin, low calcium alloy |
| Negative plate | Lead-calcium alloy grid |
| Separator | High density microporous glass mat with low electrical resistance |
| Container & lid | High temperature ABS. Optional flame retardant versions available (UL94 FV-0 with L.O.I. of 28%) |
| Electrolyte | Sulphuric acid with a density of 1.28g/ml absorbed in AGM |
| Terminal design | Patented leak resistant seal configuration with brass insert |
| Safety valve | Calibrated opening pressure, the valve equipped with flame arrestors for increased operational safety and service life. |

Dimensions (mm)



terminal Dimensions

Installation and operation

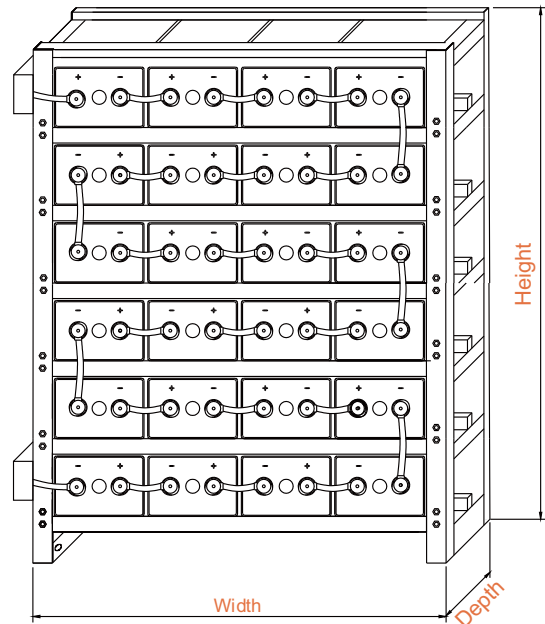
- Recommended float charge voltage: 2.24V per cell at 35°C
compensation in function of temperature: -3mV/°C/cell
- Cycle and equalize charge voltage: 2.30V per cell at 35°C, or case by case
compensation in function of temperature: -5mV/°C/cell
- CC-CV charge current: unlimited, otherwise 0.25C10 Amax. if T>25°C
- Preferred operating temperature range: 15°C to 35°C (68°F to 95°F)
- Maximum operating temperature range: -40°C to 80°C (-40°F to 176°F)
- A separate battery room: is not necessary
- Reduced maintenance: no water addition required.

Racking (optional)

Narada racks are constructed using strong, easy to assemble, powder-coated steel tubing and come complete with sliding cover terminal (take-off) plates.

| | | | |
|--------------------|------------------|------------------|-----------------------|
| Cell model: | HTB-500 | | |
| Number of cells: | 24 | | |
| System Voltage: | 48 | | |
| Cell Configuration | 4 high 6 wide | 6 high 4 wide | In outdoor cabinet |
| Rack width (mm) | 1646 | 1064 | Cabinet width (1200) |
| Rack depth (mm) | 405 | 405 | Cabinet depth (1450) |
| Rack height (mm) | 900 | 1300 | Cabinet height (1500) |
| System weight (kg) | 1044 | 1032 | 1185 |

* Please allow 100 mm for terminal boxes



NARADA POWER SOURCE CO.,LTD.
9F, Building A, No. 50 Zijinghua Road, Hangzhou, China
Tel: +86-571-28827013 Fax: +86-571-28828290
Website: www.naradabattery.com E-mail: intl@narada.biz

NARADA ASIA PACIFIC PTE.LTD.
65 Ubi Crescent #07-05 Ubi centre, Singapore
Tel: +65-6848 1191 Fax: +65-6749 3498
E-mail: sales@narada.com.sg

NARADA EUROPE (UK) LIMITED
Spectrum House, Dunstable Road, Redbourn,
St. Albans, Herts AL3 7PR
Tel: +44 (0)845 371 7095 Fax: +44 (0)845 612 2031
E-mail: sales@naradaeurope.com

