

stored energy solutions for a demanding world



**Model: EosG1500**

**EosG Series**

The EosG range of gel technology batteries offers outstanding performance including a 15+ years design life. The EosG series batteries is designed based on the Eos series, using the polymer gel electrolyte. Built to the highest standards and compliant with the latest IEC60896-21/22 standard.this range also offers 100% capacity out-of-the-box and is capable of handling deep discharges for complete peace of mind. The use of flexible connectors and the ability to be installed both horizontally and vertically allows for multiple installation possibilities.



**Specifications**

Battery Model	EosG1500			
Nominal Voltage	2V			
Capacity (25°C)	10HR (150A, 1. 80V)	3HR (370A, 1. 80V)		1HR (825A, 1. 75V)
	1500AH	1125AH		825AH
Dimensions	Length	Width	Height	Total Height
	265. 5mm	229mm	555mm	566mm
Approx. Weight	93kg			
Internal Resistance	0.15mΩ			
Max Charge Current Allowed	375A			
Charge Voltage (25°C)	Cycle use		Float use	
	2.35V/cell		2.25V/cell	
Temperature Ranges	Operation (maximum):		-40°C to 55°C(-40°F to 131°F)	
	Operation (recommended):		15°C to 25°C(59°F to 77°F)	
	Storage:		-20°C to 40°C(-4°F to 104°F)	
Terminal	M8 Female			
Terminal Hardware Torque	15 ± 1.0Nm			
Container Material	ABS (V0 optional)			

**Constant Current Discharge Characteristics Units: Amperes (25°C, 77°F)**

End voltage per cell	5min	15min	30min	1hr	2hr	3hr	5hr	6hr	8hr	10hr	24hr	48hr	100hr
1. 60V	2182. 6	1836. 5	1492. 4	983. 5	605. 6	444. 6	287. 8	247. 9	194. 1	159. 2	73. 8	39. 4	22. 1
1. 65V	2046. 7	1728. 6	1361. 0	928. 2	588. 4	432. 6	284. 2	245. 0	192. 4	158. 3	72. 7	39. 1	21. 8
1. 70V	1923. 5	1635. 8	1244. 6	882. 0	568. 2	413. 2	277. 1	239. 1	189. 7	155. 8	72. 4	38. 8	21. 4
1. 75V	1814. 5	1539. 6	1147. 6	826. 8	547. 3	403. 7	272. 4	235. 5	187. 1	154. 5	71. 7	38. 3	20. 8
1. 80V	1714. 2	1435. 9	1074. 5	784. 5	530. 8	391. 2	264. 3	229. 3	182. 0	152. 4	70. 2	37. 6	20. 2
1. 85V	1471. 7	1221. 4	944. 7	698. 4	478. 5	362. 1	249. 4	218. 3	176. 2	146. 2	68. 2	35. 8	19. 5
1. 90V	1205. 4	964. 3	785. 0	574. 0	400. 0	321. 9	225. 9	197. 0	158. 8	133. 2	63. 7	33. 5	18. 0

**Discharge Data with Constant Power Units: Watts per cell (25°C, 77°F)**

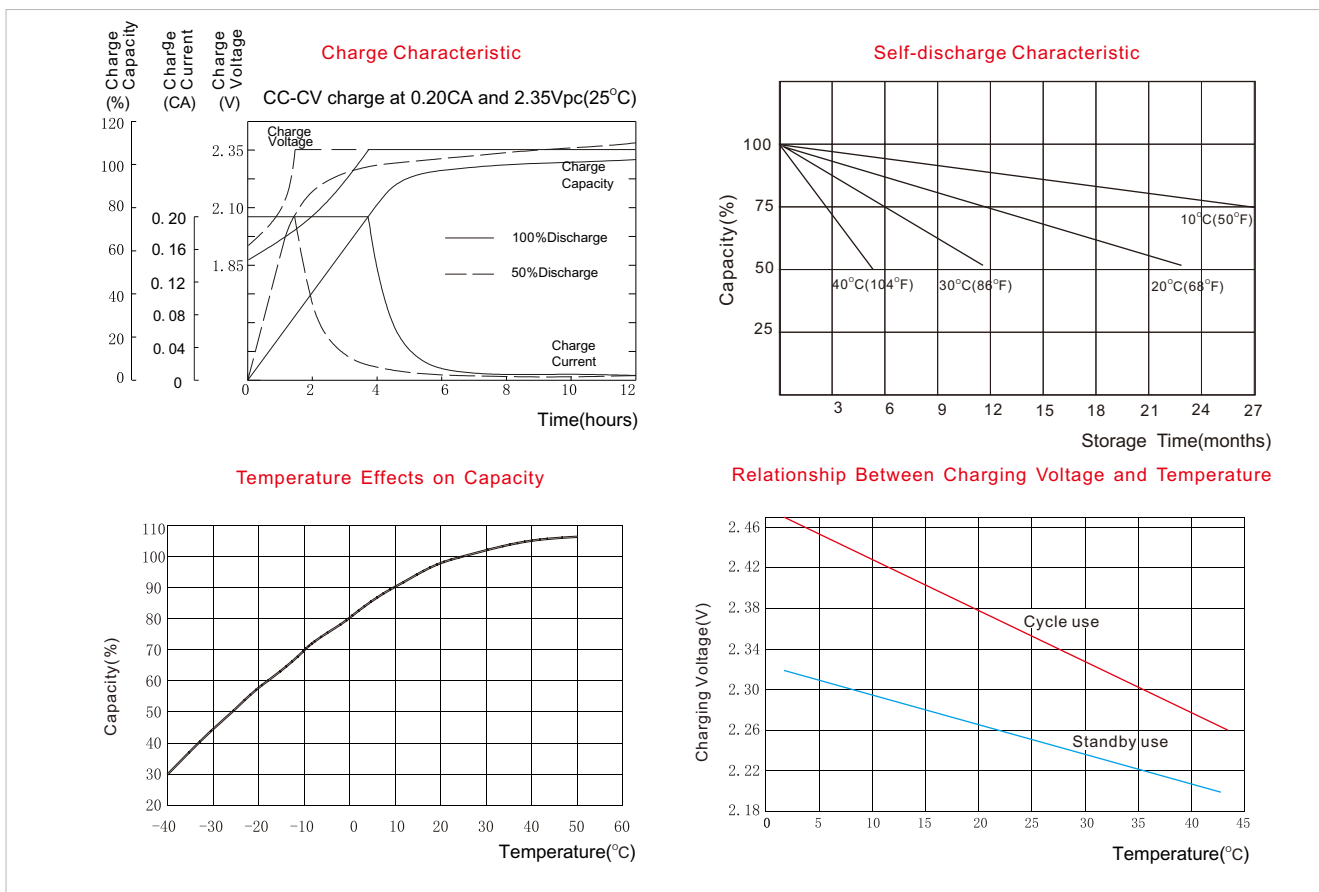
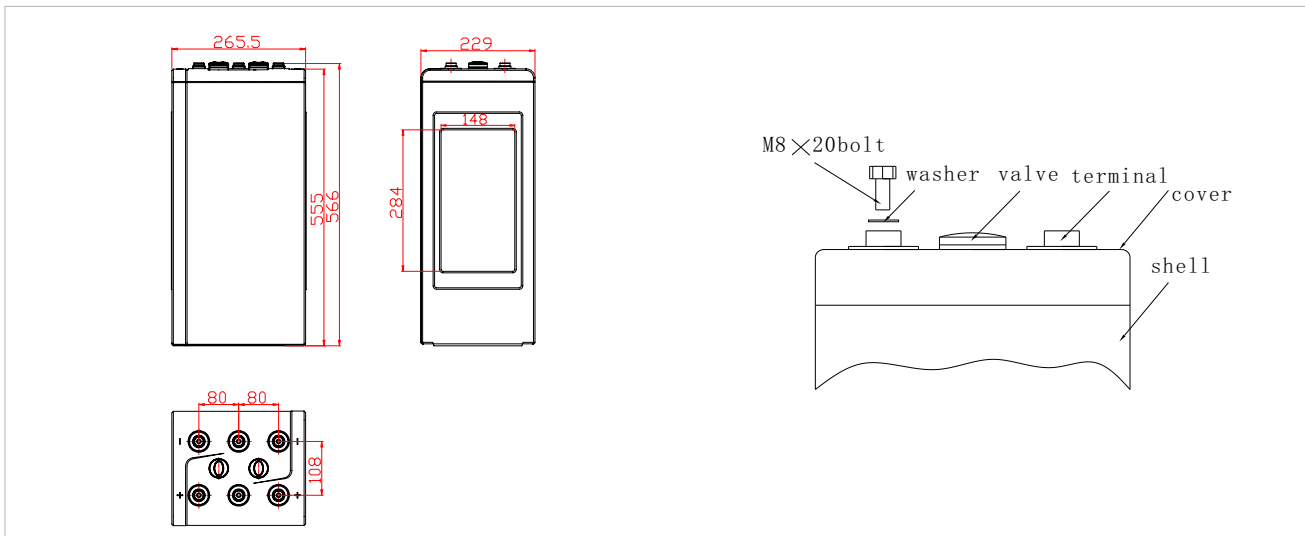
End voltage per cell	5min	15min	30min	1hr	2hr	3hr	4hr	5hr	6hr	8hr	10hr	24hr
1. 60V	4239. 5	3550. 6	2827. 2	2013. 2	1299. 0	962. 2	767. 3	635. 5	542. 8	424. 3	346. 4	156. 2
1. 65V	4032. 1	3407. 4	2674. 1	1860. 2	1191. 6	903. 0	727. 8	613. 3	525. 5	408. 6	338. 1	153. 2
1. 70V	3876. 5	3286. 4	2607. 4	1771. 4	1157. 1	870. 9	703. 1	599. 5	515. 1	399. 7	328. 1	150. 2
1. 75V	3755. 5	3163. 0	2518. 5	1702. 3	1116. 1	838. 8	688. 3	584. 7	503. 3	384. 9	323. 2	148. 8
1. 80V	3651. 8	3014. 8	2429. 6	1662. 9	1095. 4	809. 2	666. 1	568. 4	488. 5	375. 0	318. 3	146. 5
1. 85V	3321. 0	2745. 7	2160. 5	1512. 4	1006. 6	766. 3	640. 5	541. 8	462. 6	362. 7	305. 9	140. 6
1. 90V	2930. 9	2382. 7	1822. 2	1302. 7	873. 4	710. 5	596. 3	506. 3	432. 2	339. 3	283. 7	131. 7

stored energy solutions for a demanding world

**NARADA**

Model: **EosG1500**

**EosG Series**



**NARADA POWER SOURCE CO.,LTD.**  
 9F, Building A, No. 50 Zijinghua Road, Hangzhou, China  
 Tel: +86-571-28827013 Fax: +86-571-28828290  
 Website: www.naradabattery.com E-mail: intl@narada.biz

**NARADA ASIA PACIFIC PTE.LTD.**  
 65 Ubi Crescent #07-05 HOLA centre, Singapore  
 Tel: +65-6848 1191 Fax: +65-6749 3498  
 E-mail: sales@narada.com.sg

**NARADA EUROPE (UK) LIMITED**  
 Spectrum House, Dunstable Road, Redbourn,  
 St. Albans, Herts AL3 7PR  
 Tel: +44 (0)845 371 7095 Fax: +44 (0)845 612 2031  
 E-mail: sales@naradaeurope.com



EosG1500-04-N-EN (V er.04 July 2012) Subject to revision without prior notice. E. & O. E.